

434F

Backhoe Loader



Cat® 3054C DIT Diesel Engine*

	Standard	Optional
Gross Power (ISO 14396) @ 2,200 rpm	68.5 kW (93 hp)	74.5 kW (101 hp)
Net Power (ISO 9249) @ 2,200 rpm	65 kW (88 hp)	71 kW (97 hp)

Cat C4.4 Turbocharged After Cooled Engine**

	Standard	Optional
Gross Power (ISO 14396) @ 2,200 rpm	74.5 kW (101 hp)	—
Net Power (ISO 9249) @ 2,200 rpm	71 kW (97 hp)	—

*EU Stage II compliant meets EU Emission Directive 97/68/EC.

**EU Stage IIIA EU Emission Directive 2004/26/EC.

Weights

Machine Weight	8428-10 892 kg
----------------	----------------

Loader Performance

Capacity (SAE Rated)	1.15 m ³
Lift Capacity at Maximum Height	4699 kg
Tilt Breakout Force	63.3 kN
Maximum Hinge Pin Height	3518 mm
Dump Height at Maximum Angle	2745 mm
Dump Reach at Maximum Angle	923 mm

Next Generation Performance.

Optimized Parallel Lift Loader Arms

The new 434F backhoe loader features a brand new loader arm design to provide even greater performance in the dirt.

Efficient Hydraulics

A highly efficient axial piston pump automatically detects the required amount of flow required for the application, delivering smooth control and powerful performance at reduced engine speeds.

Serviceability

The 434F now has a hinged cooling pack, an easy to open engine hood, and an easy to adjust Stabilizer and E-Stick wear pad system. This means less machine downtime and more convenience for the operator.

Cab Air Filter

The 434F has an easy access cab air filter, situated within the right hand rear fender. The cab air intake is positioned high up to minimize dust intake into the air filter.

Large Non-Metallic Fuel Tank

A large 160 L non-metallic fuel tank in combination with the Cat engine and efficient hydraulic system ensures longer periods between fill ups and less inconvenience. Less condensation and no internal rusting maximizes up time.

Contents

All Wheel Steer	4
Industry Leading Operator Station	6
Loader	8
Backhoe	9
Hydraulics	10
Power Train	11
Work Tools	12
Customer Support	13
Serviceability	13
Specifications	14
Standard and Optional Equipment	19





The next generation of Backhoe Loaders' provide a new benchmark for performance. Developed with over 25 years experience, the 434F is designed to exceed operator expectations with dynamic performance and class leading fuel efficiency.

Operator feedback has enabled us to deliver a machine designed to meet owners' rigorous requirements, with more performance, more versatility and more features than ever before.

See your nearest Cat dealer and try out The Next Generation of Backhoe Loaders from Caterpillar.



Auto Align Steering

Switching between steering modes is now even simpler; with an auto align steering system which engages steer modes when the wheels are turned through the machine centerline.

Axles and Differential Lock

The heavy-duty Cat axles fitted to the 434F have been designed to be used in the most arduous of conditions and the rear axle Differential Lock ensures that traction is maintained in all types of ground conditions.

All Wheel Braking

When driving in two wheel drive, applying the brakes engages all wheel drive. Releasing the brakes returns the transmission to two wheel drive. This effective system works well in hazardous, slippery or steep surfaces. Braking modes are controlled by an easily accessible All Wheel Drive Switch, improving braking effectiveness and reducing tire wear.

Electro-Deposition Coating

Your 434F is protected by an undercoat of electro-deposited (E-Coat) primer, which completely seals each metallic component, offering a superior degree of protection from damage and corrosion. Combine this with the high solids polyurethane top coat, and your 434F will remain in prime condition longer, giving you outstanding resale value.

Engine Air Filter

A dry type axial air cleaner with an integral precleaner and automatic integrated dust ejection system extends the life of the air filter when working in dusty conditions, reducing service time and costs.

High Ambient Cooling

The 434F is equipped with a High Ambient engine cooling package, allowing the machine to be operated in temperatures up to 50° C.

Work Lights

The 434F has adjustable front and rear work lights. This allows the operator to direct the light wherever needed, providing maximum illumination to the work area whatever the ambient light conditions.





All Wheel Steer

Versatility in all terrain.

Improved Flotation

The 434F can operate in conditions that push the limits of unequal size tire machines. High flotation and lower ground pressure exerted by the tires allows the machine to work in very poor underfoot conditions, such as greenfield construction sites and agricultural applications such as farm maintenance. Areas which are off limits to other types of machine are accessible with a Cat equal size tire Backhoe Loader, increasing productivity and machine utilization.

Increased Loader Performance

More lift height, a large bucket and stronger breakout forces enable the 434F to perform high productivity loading duties, such as hopper charging, bulk material transfer, grading and loading.

Tire Options

The 434F is available with either 24" or 28" tires, in bias or radial ply variants. This allows the correct choice of tire to suit any application or budget.

All Wheel Steer (AWS)

An AWS system, which can be switched into 2WS, Circle Steer, or Crab Steer is fitted as standard. This provides an excellent turning circle and good maneuverability for working in confined working areas.



Industry Leading Operator Station

Enjoy complete visibility of the worksite,
from comfortable surroundings.





A spacious interior with modern styling accommodates the operator with comfort and ease of operation, to meet the demands of even the most demanding operator. Cab width makes turning from loader-facing to backhoe-facing position simple, with no obstruction. Comfort is further enhanced with the first-class Cat air suspension seat, reducing fatigue on the body during those long working days.

An easy opening single piece rear window enhances visibility of the surrounding area, and provides the operator with ventilation in warm conditions. The rear wiper maintains visibility in wet or dusty conditions by cleaning a large area of the rear screen.

Excellent ergonomics ensure that all controls are within easy reach of the operator, and tinted glass is standard in all cabs.

Other features such as remote stabilizer controls, large adjustable vents throughout the cab, and clear gauges provide the operator with a comfortable operating environment designed to reduce operator fatigue and increase productivity.

Operator Controls

Cab ergonomics are vital in getting the most out of your machine. Pressure compensated, well placed levers ensure low effort and good controllability for maximum productivity.

Reduced Vibration

Caterpillar understands that backhoe loaders work in some of the harshest environments. By controlling normal machine vibrations caused by these harsh conditions, operators will feel less fatigued. The 434F has features, both standard and optional, that reduce the impact of vibration.

Cat Air Suspension Seat

The key interface between the machine and the operator is the seat. The Cat air suspension seat provides the operator with a comfortable working platform to ensure high levels of productivity with the minimum of fatigue.

Cab Mounts

The cab is attached to the mainframe with resilient mounts, reducing vibration and sound providing the operator with an all round comfortable working environment.

HVAC System

The 434F benefits from an optional, powerful air conditioning system, which provides good ventilation to the operator, ensuring the operator stays cool when working in warm temperatures. The ventilation system also provides plenty of demisting, defrosting and heating capability.



Loader

The parallel lift loader reaches new heights.

Loader Performance

Designed with performance in mind, the 434F has higher breakout forces, load over height and reach, making light work of applications such as truck loading or shoveling. Parallel Lift Loader arms offer self-leveling as standard, providing safe lifting of any palletized load. Versatility is enhanced with the choice of a General Purpose or Multi Purpose bucket, and visibility is further enhanced with a new, lower hood line design, providing a clear line of sight to the top of the bucket.

Return-To-Dig

Your 434F is equipped with a Return-To-Dig system, as standard. This system reduces loading cycle times by bringing the loader bucket back to the dig position automatically when lowering the arms. By the time the loader arms have been lowered to ground level, the bucket is in the correct position ready for the next load.

Ride Control

The Cat Ride Control system is an option designed to reduce machine pitching and bouncing, giving operators a smooth ride in all applications, including load and carry, roading, or simply moving around the job site. The system is controlled by a switch on the front console.





Backhoe

Best-in-class performance and serviceability.

Excavator-Style Backhoe

Whether you're close-up truck loading on a single road carriageway, or digging over obstacles such as walls, the excavator-style boom outperforms the rest. Combining versatility with powerful breakout forces, the controllability of the load sensing, flow-sharing hydraulic system, the 434F is capable of producing high levels of productivity with the minimum of operator effort. The boom is a narrow design, ensuring maximum visibility to the work tool.

Extendible Stick

The 434F is available with an extendible stick that increases dig depth and reach capability, enhancing the machines versatility and utilization. A sliding inner section design keeps the wear pads out of the dirt, extending adjustment and replacement intervals. When wear pad adjustment is necessary, the adjustment bolts are easy to access, taking minutes to adjust, without the need to disassemble the E-Stick. Auxiliary lines for operating work tools have been routed so that they are protected from damage when working in the narrowest of trenches.

Slider Frame and Swing Frame

Designed to make necessary maintenance easier to perform, the F Series cast slider frame has exterior lock clamps, with no backhoe disassembly needed when servicing. The Swing Frame/Boom Foot pins have replaceable bushings in the bores.

Powered Side Shift (Optional)

Provides a hydraulic service to enable the operator to easily position the backhoe across the full width of the H-frame without the need to place the bucket on the ground. Ideal for use in utility applications such as gas, electrical, telecoms, etc.



Hydraulics

Efficient and smooth operation.

Hydraulic Performance

It's rare that you'll be working at full production 100% of the time, so why should the machine be working flat out, using more fuel, making more noise, and increasing wear?

The 434F has a load-sensing, closed center hydraulic system, which closely matches power and flow to the demand needed by the implements. So whether you're in full trenching mode, or delicately digging around services, you are in control. In applications such as loading and carrying, speed is important, and system will match the flow needed to get the job done quickly and efficiently. As there is minimal demand on the system unless needed, there are less parasitic losses and more power available for traction – providing better loading and roading.

Flow Sharing Valves

The 434F also features flow-sharing hydraulic valves, ensuring the correct flow of oil reaches the implement cylinders, providing greater control and eliminating oil starvation when operating multiple functions.

Hardware

The 434F is equipped with a highly efficient variable displacement piston pump. The reliable high performance hydraulic hose is constructed from two strong steel braided layers and O-ring face seal fittings provide a robust system ensuring excellent durability and resistance to damage from pressure spikes and hydraulic pulsing.

Power Train

Powerful performance in any terrain.

Torque Converter

A 2.64:1 ratio torque converter in the 434F delivers incredible pushing power and acceleration when either roading or loading.

Auto-Shift Transmission (Optional)

Automatic gear selection, with five forward and three reverse gears, minimizes operator effort with precision gear changing, engaging powerful drive in all applications. A hydraulic clutch pack modulation contributes to the operators' comfort by ensuring smooth gear changes, noticeably improving ride comfort over all types of terrain. The optional auto-shift transmission dispenses of the floor mounted shift lever, giving unrestricted access through the right hand door.

Lock-Up Torque Converter

If roading is an important part of your daily routine, the optional lock-up torque converter (available on the auto-shift transmission only) will enable you to maintain high speeds and reduce fuel consumption, saving you both time and money.



40 km/h Roading

The 434F is equipped with a standard power-shuttle transmission capable of high speed travel up to 40 km/h.

It utilizes a constant mesh, synchronized, four speed system. The forward/reverse lever on the steering column is placed for simple directional changes on the move, and the gear selection is from the floor mounted shift lever.

Get to work faster, with the Cat Backhoe Loader.

Work Tools

Do more, be more.

With a range of versatile tools available.



Loader Buckets

General Purpose and hydraulic Multi Purpose buckets are available on the 434F. They can be fitted with either cutting edge or bolt on teeth. MP buckets are optional with fold over pallet forks.

Backhoe Buckets

For different soil types and digging applications there are multiple bucket designs available, including; Standard Duty, Heavy Duty, High Capacity and Extreme Service (Rock) Buckets. Either bolt on teeth or weld on adapters with pin on teeth can be fitted. Ditch Cleaning, Cribbing and Trapezoidal Buckets are also available.

Auger

The Cat Auger is designed for drilling holes in the earth for a wide variety of applications. A wide variety of Auger bits and drive systems are available, to provide you with the best tool for the job.

Cold Planer

The Cat Cold Planer is designed for both asphalt and concrete planing work, having features like depth control and self-leveling.

Compactor Plate

The Cat Vibratory Plate Compactor can be used to compact soil, sand or gravel in trenching and sloping applications prior to pouring concrete or laying asphalt.

Hammer

Cat Hydraulic Hammers are designed to break up concrete, asphalt or rock and deliver constant power when operated. Silencing options are available to meet with local regulations.

Dual Lock Couplers

Enhance your machines' versatility with a mechanical or hydraulic quick coupler, for easy switching of work tools. Couplers maintain a tight fit throughout their lifetime due to an innovative wedge design.

Contact your Cat dealer for more information.

Customer Support

World class customer support services.

Customer Support Agreements (CSA's)

Your Cat dealer can offer a comprehensive range of CSA's which can be individually tailored to suit your finances and requirements.

Dealers can offer a range of options from a full Preventative Maintenance with S·O·SSM package to a Parts Only CSA. Protect your valuable investment and know exactly what your monthly payments will be to help you run your business.

Finance

Have you explored the range of options available from your dealer to finance your machine? They can offer a selection of attractive packages tailored exactly to your needs.

Machine Selection and Training

Your dealer can help guide you with your machine purchase decision, based on your requirements and help keep operating costs to a minimum. Is the machine you have in mind exactly the best for your job, or could there be a more suitable solution?

Your dealer can also advise on operating techniques for your machine which will minimize wear and tear, maximize productivity, and lower owning and operating costs.



Serviceability

Easy service access to maintain your uptime.

Reduced Maintenance

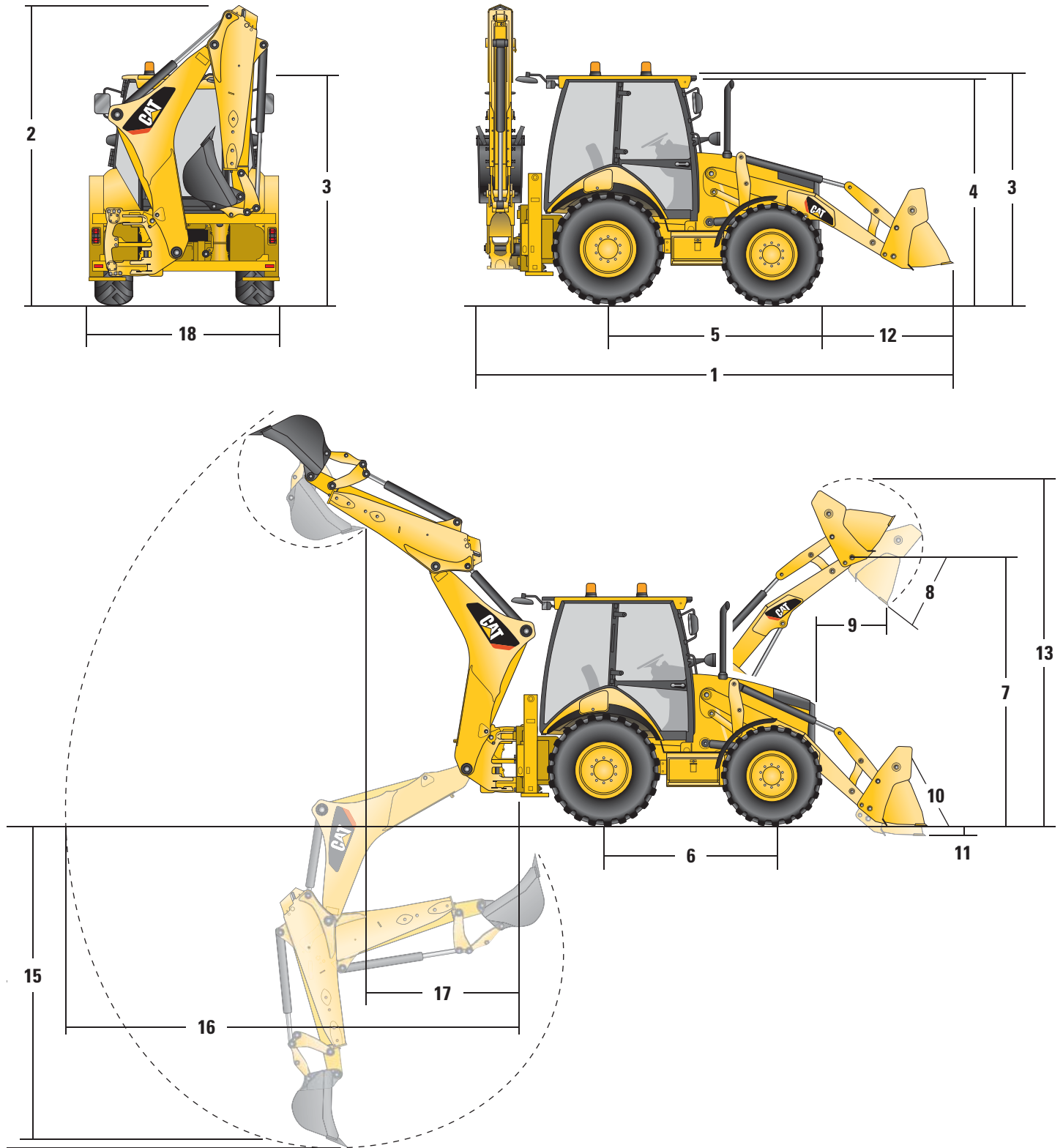
The new, easy access engine cover sets the benchmark for access to all daily check points, such as; fill points, air cleaner, washer bottles, visual indicators, etc. It includes a first-in-class hinged cooling pack, making regular maintenance even more convenient for the operator. The F Series continues to provide sealed for life axle oscillation, driveshaft universal joints, trunnions, etc. Daily maintenance, which can be a chore for the busy operator, is kept to a minimum on the 434F.

Boom and Stick Design

The Boom and Stick design allows all wear adjustment to be done with Stick in-situ, using a simple wedge adjustment mechanism – no dismantling required. The Stabilizer legs are also externally adjustable, reducing machine downtime and inconvenience.



434F Backhoe Loader Specifications



Machine Dimensions

	GP	MP	MP with forks
Overall length (loader on ground, hoe swung out)	7574 mm	7553 mm	7553 mm
1 Overall length in roading position	5857 mm	5842 mm	5845 mm
Overall transport length	5921 mm	5900 mm	5900 mm
2 Overall transport height S-Stick	3780 mm	3780 mm	3780 mm
Overall transport height E-Stick	3769 mm	3769 mm	3769 mm
Overall width (machine, not including bucket)	2322 mm	2322 mm	2322 mm
3 Height to top of cab/canopy	2889 mm	2889 mm	2889 mm
4 Height to top of exhaust stack	2754 mm	2754 mm	2754 mm
Height to loader hinge pin (transport)	368 mm	366 mm	374 mm
Ground clearance (minimum)	320 mm	320 mm	320 mm
5 Rear axle centerline to front grill	2795 mm	2795 mm	2795 mm
Front wheel tread gauge	1826 mm	1826 mm	1826 mm
Rear wheel tread gauge	1707 mm	1707 mm	1707 mm
6 Wheelbase 2WD/AWD	2235 mm	2235 mm	2235 mm

Dimensions and Performance – Loader

	GP	MP	MP with forks
Bucket capacity	1.15 m ³	1.15 m ³	1.15 m ³
Width	2434 mm	2434 mm	2434 mm
Lift capacity at maximum height	4699 mm	4366 mm	4173 mm
Lift breakout force	61.6 kN	58.9 kN	56.9 kN
Tilt breakout force	63.3 kN	63.6 kN	62.2 kN
Tipping load at breakout point	6772 kg	6579 kg	6397 kg
7 Maximum hinge pin height	3518 mm	3518 mm	3518 mm
8 Dump angle at full height	45°	45°	45°
Dump height at maximum angle	2745 mm	2760 mm	2760 mm
9 Dump reach at maximum angle	923 mm	908 mm	908 mm
10 Maximum bucket rollback at ground level	44°	44°	44°
11 Digging depth	154 mm	154 mm	154 mm
Maximum grading angle	109°	110°	110°
12 Grill to bucket cutting edge, carry position	1495 mm	1481 mm	1484 mm
13 Maximum operating height	4386 mm	4463 mm	4341 mm
Weight (does not include teeth or forks)	438 kg	752 kg	927 kg

Dimensions and Performance – Backhoe

	Standard	E-stick Retracted	E-stick Extended
14 Digging depth, SAE maximum	4379 mm	4383 mm	5360 mm
Digging depth, manufacturer's maximum	4884 mm	4889 mm	5806 mm
Digging depth, 2440 mm flat bottom	4004 mm	4008 mm	5070 mm
15 Digging depth, 610 mm flat bottom	4336 mm	4339 mm	5326 mm
Reach from rear axle centerline at ground line	6750 mm	6755 mm	7679 mm
16 Reach from swing pivot at ground line	5660 mm	5665 mm	6589 mm
Maximum operating height	5548 mm	5547 mm	6115 mm
Loading height	3879 mm	3890 mm	4457 mm
17 Loading reach	1808 mm	1758 mm	2642 mm
Swing arc	180°	180°	180°
Bucket rotation	205°	205°	205°
18 Stabilizer (overall width)	2352 mm	2352 mm	2352 mm
Bucket dig force	63.4 kN	63.4 kN	63.4 kN
Stick dig force	35.3 kN	35.9 kN	26.3 kN

434F Backhoe Loader Specifications

Engine

Engine Model	Cat 3054C*	Cat C4.4**
Rated Power (standard)	2,200 rpm	2,200 rpm
Gross – ISO 14396	68.5 kW/93 hp	74.5 kW/101 hp
Net – ISO 9249	65 kW/88 hp	71 kW/97 hp
Net – 80/1269/EEC	65 kW/88 hp	71 kW/97 hp
Rated Power (optional)	2,200 rpm	
Gross – ISO 14396	74.5 kW/101 hp	—
Net – ISO 9249	71 kW/95 hp	—
Net – 80/1269/EEC	71 kW/95 hp	—
Net Torque Rise @ 1,400 rpm		
68.5 kW/93 hp	38%	—
74.5 kW/101 hp	31%	32%
Peak Torque Rise @ 1,400 rpm		
68.5 kW/93 hp	384 N·m	—
74.5 kW/101 hp	397 N·m	399 N·m
Bore	105 mm	105 mm
Stroke	127 mm	127 mm
Displacement	4.4 L	4.4 L

- All engine horsepower (hp) are metric including front page.
- Net power advertised is the power available at the flywheel when the engine is equipped with fan, air cleaner, muffler and alternator.
- Can be operated at altitudes up to 3000 m.

*Stage II EU Emission Directive 97/68/EC.

**Stage IIIA EU Emission Directive 2004/26/EC.

Features

- Three ring pistons made of lightweight silicon/aluminum alloy for strength and maximum thermal conductivity.
- Forged, chrome/molybdenum-steel crankshaft with nitro-carbonized journals.
- Front and rear crankshaft oil seals are 'lip' type Viton and PTFE designs featuring an integral dust lip.
- Heat resistant silicon-chrome steel intake and STELLITE faced exhaust valves are used for long engine life.
- Cylinder block is high strength, cast iron alloy of deep-skirt, monobloc design for increased strength and long life.
- Poly vee front end and auxiliary drive belt that is automatically tensioned for long life reducing operating costs.
- Cylinder head is high strength, cast iron alloy construction with extra duty wall and head thickness. Intake and exhaust ports are precision cast to promote optimum gas flow.
- Direct injection fuel system provides accurate fuel delivery. Self priming electric lift pump for improved cold start capability. One filter fuel system for reduced maintenance costs.
- High torque at low engine speeds for better machine performance.
- Dry type, axial seal air cleaner with automatic, integrated dust ejection providing more efficient pre-separation.
- Direct electric 12 volt starting and charging system with 750 CCA group 31 maintenance free battery.

Axles

All Wheel Drive (AWD) – Standard

Features

- Heavy-duty rear axle with self adjusting inboard brakes, differential lock and final drives.
- AWD is engaged by front console panel switch or by brake pedal during all-wheel-braking operation. AWD can be engaged on the move, under load, in any gear, forward or reverse. AWD has outer final drives for easy maintenance.
- AWD front axle is pendulum mounted and permanently sealed and lubricated, requiring no daily maintenance. Also features double-acting steering cylinder with 52° steering angle for increased maneuverability.

Steering

Full hydrostatic steering controlled by a hand-metering unit. Secondary steering system available to meet roading regulations in various countries and to meet ISO 5010.

Steering

Type	Front Wheel
Power Steering	Hydrostatic
Cylinder, One, Double-acting (AWD)	
Bore	65 mm
Stroke	120 mm
Rod Diameter	36 mm
Turning Circle	
Inner Wheel Not Braked (AWD)	
Outside Front Wheels	10 200 mm
Outside Widest Loader Bucket	11 700 mm

Brakes

Fully enclosed boosted, hydraulic, multiple discs.

Features

- Inboard oil-immersed, hydraulically actuated multiple Kevlar discs on final drive input shaft.
- Completely enclosed and sealed.
- Self-adjusting.
- Dual foot-operated boosted brake pedals can be interlocked for roading.
- Parking/secondary brakes are independent of the service brake system. Parking brake is mechanically applied through a hand lever located in the right side console.
- Meets ISO 3450:1996 requirements.

Weights

Standard parallel lift loader with 1.15 m³ multi purpose loader bucket with forks. Extendible stick with 610 mm standard duty backhoe bucket, 24" tires, 75 kg operator, and full fuel tank.

Weights

Machine Weight (Range)	8428-10 892 kg
Operating Weight	9743 kg
Auto-Shift	27 kg
Air Conditioning	39 kg
Ride Control	25 kg
Multi Purpose Bucket	1.15 m ³
with Fold-Over Forks	948 kg
without Fold-Over Forks	798 kg
Extendible Stick	299 kg
Counterweights	
Light	115 kg

Cab Features

Fully Glazed	✓
RH Opening Door with Opening Window	✓
LH Opening Door with Opening Window	✓
2 Rear Side Fixed Windows	✓
Air Suspension Seat	✓
8 Working Lights (4 front, 4 rear)	✓
Floor Mat	✓
LH Storage Console	✓
Tilt Steering Column	✓
Exterior Rearview Mirror	✓
Beacon Socket (2)	✓
Internal Power Socket	✓
Radio Ready Headliner	✓
Instrument Cluster Display Gauge	✓
Sun Visor	✓
Steering Wheel Knob	✓
Vandal Guard	✓
Cab Heater	✓
Seat Belt (50 mm)	✓
Cab Air Conditioning	optional

Operator Station

ROPS/FOPS is standard.

ROPS (Roll Over Protective Structure) offered by Caterpillar for this machine meets ROPS criteria ISO 3471:1994 and FOPS (Falling Objects Protective Structure) criteria ISO 3449:1992.

434F Backhoe Loader Specifications

Service Refill Capacities

Cooling System	
with Heater	22 L
Fuel Tank	160 L
Engine with Oil Filter	8.8 L
Transmission	
Power Shuttle (AWD)	18 L
Rear Axle (Rigid/Steerable)	
Center Housing	16 L
Wheel End/Final Drive	1.7 L
Front Axle (AWD)	
Center Housing	14 L
Wheel End/Final Drive	1.7 L
Hydraulic System	90 L
Hydraulic Tank	40 L

Hydraulic System

Variable flow, closed center system with load sensing provides full hydraulic force at all engine speeds, optimal fuel consumption and low effort control.

Type	Closed center
Pump Type	Variable flow, axial piston
Pump Capacity	125 L/m @ 2,200 rpm
System Pressure	
Backhoe	250 bar
Loader	250 bar

Transmission

The standard power shuttle provides four speed forward and reverse, full synchromesh in all gears. The optional auto-shift transmission can be operated in automatic or manual mode.

	Power-Shuttle	Auto-Shift
Forward		
1st	5.8 km/h	5.7 km/h
2nd	9.2 km/h	9.1 km/h
3rd	19 km/h	18.8 km/h
4th	40 km/h	25.6 km/h
5th	—	40 km/h
Reverse		
1st	5.8 km/h	5.7 km/h
2nd	9.2 km/h	11.9 km/h
3rd	19 km/h	25.8 km/h
4th	40 km/h	—
5th	—	—

Lock-Up Torque Converter

The optional lock-up torque converter is automatically selected dependent on ground speed and enables speed to be maintained longer over all types of terrain.

Standard Equipment

Standard equipment may vary. Consult your Cat dealer for details.

- Air cleaner, dry type, axial seal with precleaner and filter condition indicator
- Alarm, back up
- All Wheel Drive
- Alternator, 120-amp, 12 volt
- Antifreeze (to -37° C)
- Audible system fault alarm
- Auto-align steering
- Backhoe, two-lever mechanical controls
- Battery, maintenance free, 750 CCA
- Boom, transport lock
- Brace, lift cylinder
- Brakes, boosted, Kevlar disc, oil disc
- Cable stabilizer controls
- Cat 3054C* (68.5 kW) engine or Cat C4.4** (74.5 kW) engine
- Coat hook
- Drain ecology
- Electro-hydraulic slide frame lock
- Engine enclosure
- Fan, cooling and fan guard
- Fast reversing shuttle, all gears
- Flashing hazard/signal lights
- Floor mat, rubber
- Front axle, pendulum mount
- Front grill with bumpers
- Front headlights
- Gauges: coolant temperature, fuel level, tachometer, hour meter
- Ground line fuel fill with 160 L capacity
- Grouser style stabilizer shoes
- High ambient cooling package
- Hinged cooling pack
- Hydraulic oil cooler
- Indicators: air cleaner service, parking brake on, engine coolant, hydraulic oil level sight gauge
- Instrument panel lights
- Intermittent front and rear wash/wipe
- Key start/stop system with auxiliary position
- Lifting eye, backhoe (non EU countries only)
- Lights, working (4 front, 4 rear)
- Load-sensing, variable-flow system with axial-piston pump
- Mirrors, external (2)
- Power receptacle, 12V (2)
- Power steering, hydrostatic
- ROPS cab with heater, defroster, and cab recirculating fan
- Seat, air suspension with fabric or vinyl seat cover
- Seat belt, retractable (50 mm)
- Self-cancelling directional indicator
- Spin-on fuel, engine and transmission oil filters
- Standard stick
- Starting system, thermal aid
- Stop and tail lights (2)
- Storage box, external, lockable
- Swing transport lock
- Throttles, hand and foot
- Tires (2 front, 2 rear)
- Torque converter
- Transmission, four-speed synchromesh
- Transmission neutralizer switch
- Warning horn, front electric
- Water separator

*Standard for less regulated countries, meets Stage II EU Emission Directive 97/68/EC.

**Standard for regulated countries, meets Stage IIIA EU Emission Directive 2004/26/EC.

Optional Equipment

Optional equipment may vary. Consult your Cat dealer for details.

- Air conditioning
- Attachments, front loader
 - General purpose bucket, 1.15 m³ or 1.3 m³
 - Multi purpose bucket, 1.15 m³ or 1.3 m³
 - Multi purpose bucket with forks, 1.15 m³ or 1.3 m³
- Attachments, backhoe work tools
 - Quick Coupler (mechanical)
- Auto-shift transmission
- Battery, additional
- Cat 3054C DIT* (74.5 kW) engine
- Counterweights
 - 115 kg
- Cutting edge, bolt on
 - Single piece
 - Two piece
- Fenders, front, All Wheel Drive
- Guards
 - AWD driveshaft
 - Teeth (GP/MP)
 - Rear lights, roading
- Hydraulic valves, loader
 - 3rd valve for GP/MP
- Hydraulic valves (auxiliary)
 - Extendible stick
- Hydraulic lines
 - Hammer lines to stick
 - Quick disconnects
- Lights
 - Number plate, rear
 - Roading
- Lock-up torque converter (only available with the auto-shift transmission)
- Mirror, exterior rearview, large
- Object handling installation, including lifting eye, boom and stick locks, audible and visual warning system
- Powered side shift
- Ride control
- Rotating beacon
- Stabilizer street pads
- Stick, extendible
- Tilt steering wheel
- Transport locks
- Vandalism protection
- Visor cab

*Standard for less regulated countries, meets Stage II EU Emission Directive 97/68/EC.

**Standard for regulated countries, meets Stage IIIA EU Emission Directive 2004/26/EC.

434F Backhoe Loader

For more complete information on Cat products, dealer services, and industry solutions, visit us on the web at www.cat.com

© 2013 Caterpillar Inc.
All rights reserved

Materials and specifications are subject to change without notice. Featured machines in photos may include additional equipment. See your Cat dealer for available options.

CAT, CATERPILLAR, SAFETY.CAT.COM, their respective logos, "Caterpillar Yellow" and the "Power Edge" trade dress, as well as corporate and product identity used herein, are trademarks of Caterpillar and may not be used without permission.

AEHQ6934 (01-2013)

